



MADE IN BRITAIN



**MACKLINE**  
Catering Products

**2022**  
Product Application &  
Price List

**TRADE ONLY**





**Index**

Page	Product	PLEASE CLICK THE LINK BELOW TO GO TO THE PRODUCT YOU REQUIRE
3	Centre & Wall Tables	
4	Single & Double Sinks	
5	Wall Shelves	
6	Bench Mounted Ambient Gantries & Microwave Shelves	
7	Passthrough Dishwasher Tabling	
8	Condense Canopy / Roller Dishwasher Outlet Tables	
9	Dishwasher Tabling Layout / How to Order	
11	Hot Cupboards & Heated Gantries	
13	Wall / Centre / COSHH Cupboards	
14	Modifications & Miscellaneous Options	
15	Racking (solid & perforated)	
16	Canopies	

For bespoke pricing email:  
[info@premiercateringmanufacture.co.uk](mailto:info@premiercateringmanufacture.co.uk)

**FIND IT CHEAPER WE'LL MATCH IT!**



08000 489 0704

[info@premiercateringmanufacture.co.uk](mailto:info@premiercateringmanufacture.co.uk)

[www.premiercateringmanufacture.co.uk](http://www.premiercateringmanufacture.co.uk)



**Wall & Centre Benches c/w Undershelf**

Length (mm)	Depth 600mm	Depth 700mm	Depth 800mm
600			
900			
1200			
1500			
1800			
2100			
2400			
2700			
3000			

**Modified / Extra Upstand's**

Height	*Price per mtr
100 mm	
200 mm	
300 mm	
400 mm MAX	
Extra Upstand	

**Extra Undershelves to Suit Wall & Centre Benches**

Length (mm)	Depth 600mm	Depth 700mm	Depth 800mm
600			
900			
1200			
1500			
1800			
2400			
2700			
3000			

**Optional Extras**

Item	Cost	Item	Cost
Castors : Set of 4 (2 x braked)		Drawer	
Tie Bar		Bank of 3 Drawers	
Corner Chamfer 100x100mm		Part Void to Under Frame	
Notch / Cut Out			



08000 489 0704

info@premiercateringmanufacture.co.uk

[www.premiercateringmanufacture.co.uk](http://www.premiercateringmanufacture.co.uk)

RETURN TO INDEX PAGE



**Single Bowl Sink Units c/w Undershelf** bowl valance as standard

Length (mm)	Depth 600mm	Depth 650mm	Depth 700mm
1200			
1500			
1800			
2100			
2400			

**Double Bowl Sink Units c/w Undershelf** bowl valance as standard

Length (mm)	Depth 600mm	Depth 650mm	Depth 700mm
1500			
1800			
2100			
2400			
2700			
3000			

**Sink Extras**

Item	Cost
Tie Bar	
Corner Chamfer	
Notch / Cut Out	
Part Void to Under Frame	
Set of 1/2" Pillar Taps	
Set of 1/2" Basin Taps	
Set of 1/2" Mixer Taps	
Set of 1/2" Long Nosed Mixer Taps	
Pre Rinse Spray Arm ( Single )	
Pre Rinse Spray Arm ( Double )	
Weld in Hand Basin ( round or oval )	
Sink Bowl Cover	
Extra for 760 x 510 x 300 Bowl	
Handmade / Fabricated Bowl	

Item	Cost
Make Bowl Ready For Waste Disposal	
Weld In Waste Disposal Hopper	
Manufactured Scrap Chute	
Rubber Scrapping Ring	
Hand wash basin (weld & polish)	
Bucket / Mop sink	



PREMIER CATERING  
MANUFACTURE

08000 489 0704

info@premiercateringmanufacture.co.uk

[www.premiercateringmanufacture.co.uk](http://www.premiercateringmanufacture.co.uk)

RETURN TO INDEX PAGE



**TRADE ONLY**

**Wall Shelves c/w Box Section Brackets**

Length (mm)	Depth 300mm	Depth 400mm	Depth 500mm
600			
900			
1200			
1500			
1800			
2100			
2400			

**Rodded Pan Shelves**

Length (mm)	Depth 300mm	Depth 400mm	Depth 500mm
900			
1200			
1500			
1800			
2100			
2400			

**Cantilever Shelves**

Length (mm)	Price
900	
1200	
1500	
1800	
2100	
2400	



08000 489 0704  
[info@premiercateringmanufacture.co.uk](mailto:info@premiercateringmanufacture.co.uk)  
[www.premiercateringmanufacture.co.uk](http://www.premiercateringmanufacture.co.uk)

RETURN TO INDEX PAGE



**TRADE ONLY**

**Bench Mounted Ambient Over Shelves**

	SINGLE	DOUBLE	SINGLE	DOUBLE
Length (mm)	Depth 400mm	Depth 400mm	Depth 500mm	Depth 500mm
600				
900				
1200				
1500				
1800				
2400				
2100				
2700				
3000				



**Microwave Shelves**

Length (mm)	Depth 450mm	Depth 550mm
450		
500		
600		



08000 489 0704

info@premiercateringmanufacture.co.uk  
[www.premiercateringmanufacture.co.uk](http://www.premiercateringmanufacture.co.uk)

RETURN TO INDEX PAGE



**TRADE ONLY**

**Dishwasher Input & Pre Wash Tabling**

**STANDARD OPEN UNDER** inc 610 Bowl, Splashback & Strainer Kit

Length (mm)	Depth up to 685mm	Depth up to 840mm	Undershelf
900			
1200			
1500			
1800			
2100			
2400			
2700			

**Standard Dishwasher Outlet Tables**

**STANDARD OPEN UNDER**

Length (mm)	Depth up to 685mm	Depth up to 840mm	Undershelf
900			
1200			
1500			
1800			
2100			
2400			
2700			

**Additional Options**

Item	Cost
Tie Bar	
Corner Chamfer 100x100mm	
Notch / Cut Out	
Part Void to Under Frame	
Set of 1/2" Pillar Taps	
Set of 1/2" Basin Taps	
Set of 1/2" Mixer Taps	
Set of 1/2" Long Nosed Mixer Taps	
Pre Rinse Spray Arm ( Single )	
Pre Rinse Spray Arm ( Double )	
Weld in Hand Basin ( round or oval )	
Sink Bowl Cover	
Extra for 760 x 510 x 300 Bowl	
Handmade / Fabricated Bowl	
Corner Chamfer	
Make Bowl Ready For Waste Disposal	
Weld In Waste Disposal Hopper	
Manufactured Scrap Chute	
Rubber Scrapping Ring	
Hand wash basin (weld & polish)	
Bucket / Mop sink	
Full length Splashback per mtr	

**Single Basket Set Under**  
**£110.00**



**FOR L-SHAPED TABLING PLEASE EMAIL FOR QUOTE**



PREMIER CATERING  
MANUFACTURE

08000 489 0704

info@premiercateringmanufacture.co.uk

[www.premiercateringmanufacture.co.uk](http://www.premiercateringmanufacture.co.uk)

RETURN TO INDEX PAGE



**Condense Canopy**

1100 x 1100mm	2000 x 1100mm
---------------	---------------

1100 x 1100mm

2000 x 1100mm

**Roller Dishwasher Outlet Tables**

**STANDARD OPEN UNDER**

Length (mm)	Depth up to 685mm	Undershelf
-------------	-------------------	------------

900

1200

1500

1800

2100

2700

[Click here for dishwasher tabling layout](#)



PREMIER CATERING  
MANUFACTURE

08000 489 0704

[info@premiercateringmanufacture.co.uk](mailto:info@premiercateringmanufacture.co.uk)  
[www.premiercateringmanufacture.co.uk](http://www.premiercateringmanufacture.co.uk)

**RETURN TO INDEX PAGE**

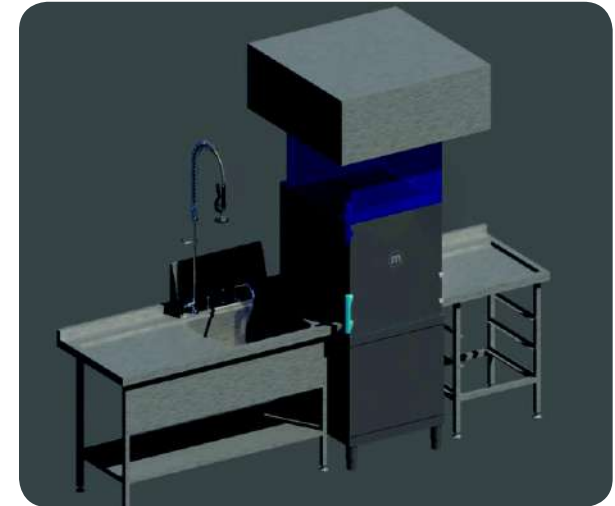
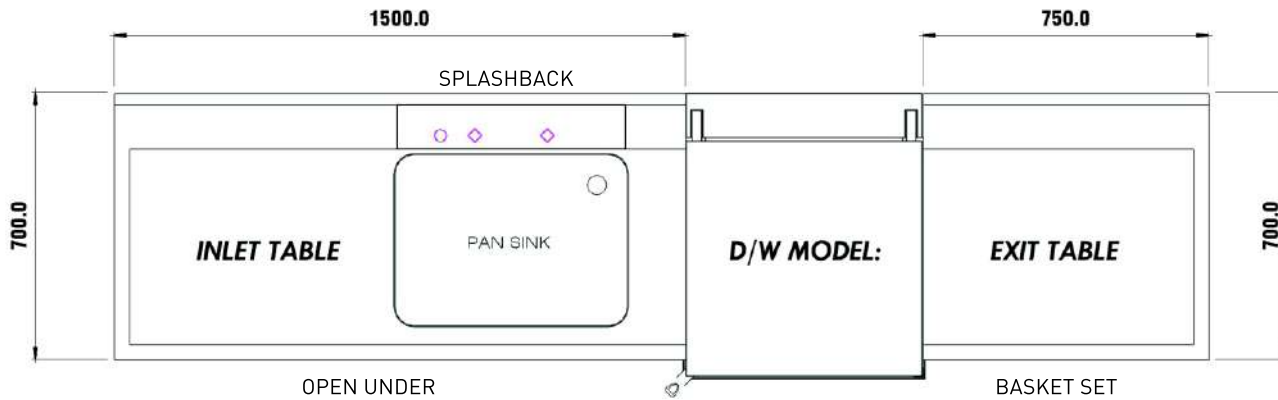
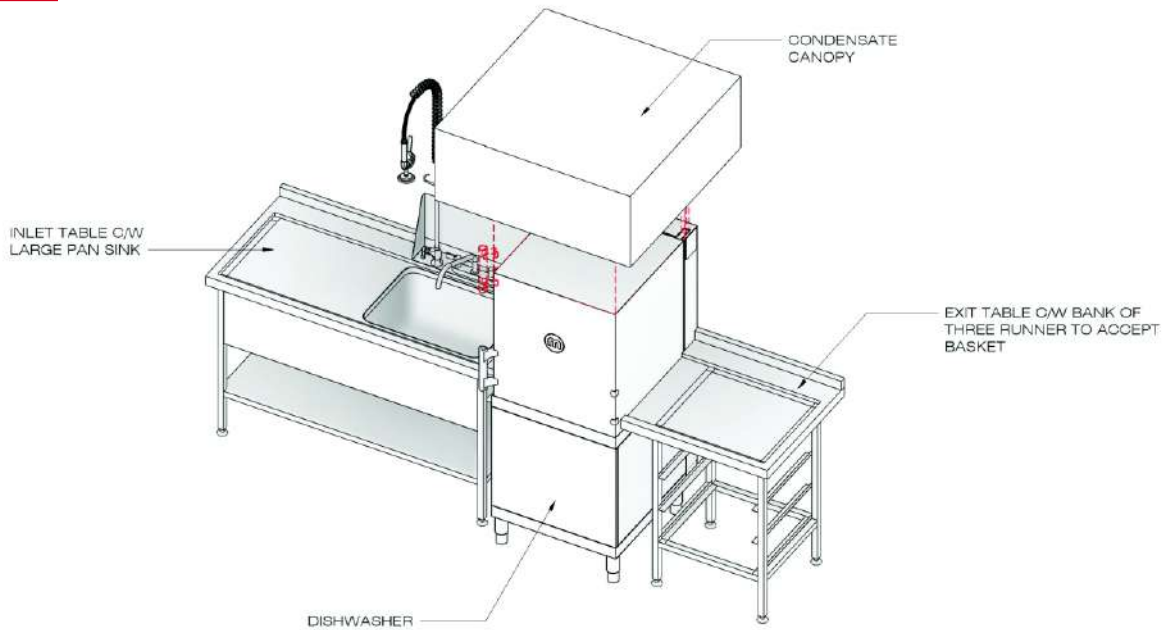




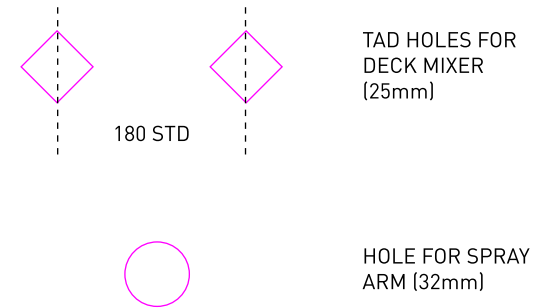
**MACKLINE**  
Catering Products

## Dishwasher Tabling Layout (How to Order)

**TRADE ONLY**



### Advice on How to Order



08000 489 0704

info@premiercateringmanufacture.co.uk  
[www.premiercateringmanufacture.co.uk](http://www.premiercateringmanufacture.co.uk)

RETURN TO INDEX PAGE



**Dishwasher Order Form**

**MODEL** \_\_\_\_\_



PREMIER CATERING  
MANUFACTURE

08000 489 0704

info@premiercateringmanufacture.co.uk  
[www.premiercateringmanufacture.co.uk](http://www.premiercateringmanufacture.co.uk)

**RETURN TO INDEX PAGE**



### Hot Cupboards Premium Mackline

#### PLAIN TOP STATIC HOT CUPBOARD

Standard Depth 700mm : Standard Height 900mm

Length (mm)	Standard Plain Top	c/w Dry Well Bain Marie	c/w Wet Well Bain Marie
1200			
1500			
1800			
2100			
2400			

### Mackline Heated Service Gantry

Standard Depth 300mm : Standard Height 900mm

Length (mm)	Single Tier	Two Tier	Three Tier	Ambient Per Shelf
800				
1000				
1200				
1500				
1800				
2100				
2400				



### Extras

Item	Cost
Heavy Duty Castors—Set of 4 (2 x braked)	
Doors both sides per mtr	
Handle	

**Digital Controls as Standard**

**Comes with Variable Dimmers as Standard**

### ADD- Built In Mackline Tab Grabber to Gantry

Unique built in tab grab feature

Length (mm)	Per Tier
500 increments	



PREMIER CATERING MANUFACTURE

08000 489 0704

info@premiercateringmanufacture.co.uk  
[www.premiercateringmanufacture.co.uk](http://www.premiercateringmanufacture.co.uk)

RETURN TO INDEX PAGE



Customer  Ref.

**Hot Cupboards Quote/Order Form**

Sketch if required

**Hot Cupboards Specification Form**

<b>Size</b>	LENGTH X DEPTH X HEIGHT	<input type="text"/>	<input type="text"/>	<input type="text"/>
<b>Control Panel</b>	INC. DIMMERS	LEFT <input type="checkbox"/>	RIGHT <input type="checkbox"/>	
<b>Doors</b>		1 SIDE <input type="checkbox"/>	2 SIDE (PASS) <input type="checkbox"/>	
<b>On...</b>		FEET <input type="checkbox"/>	CASTORS <input type="checkbox"/>	
<b>Top</b>	PLAIN <input type="checkbox"/>	BAIN MARIE <input type="checkbox"/>	CERAN <input type="checkbox"/>	
		SRE PER I/IG/N <input type="checkbox"/>	QUANTITY <input type="checkbox"/>	
		DRY OR WET <input type="checkbox"/>		
<b>Gantry Size</b>		FULL LENGTH <input type="checkbox"/>	BESPOKE <input type="checkbox"/>	
<b>Push Handle</b>		YES <input type="checkbox"/>	NO <input type="checkbox"/>	
<b>Heated By</b>		ELEMENT <input type="checkbox"/>	FAN ASSISTED <input type="checkbox"/>	
<b>Gantry</b>	1 HEATED <input type="checkbox"/>	2 HEATED <input type="checkbox"/>	3 HEATED <input type="checkbox"/>	
	1A <input type="checkbox"/>	1H X 1A <input type="checkbox"/>	2H X 1A <input type="checkbox"/>	
		2 X A <input type="checkbox"/>	1H X 2A <input type="checkbox"/>	
			3 AMBIENT <input type="checkbox"/>	
<b>Position of:</b>	GANTRY <input type="checkbox"/>	BESPOKE (DWG) <input type="checkbox"/>	LEFT <input type="checkbox"/>	
	BAIN MARIE <input type="checkbox"/>	CENTRE <input type="checkbox"/>	RIGHT <input type="checkbox"/>	
		QUOTE <input type="checkbox"/>	ORDER <input type="checkbox"/>	



PREMIER CATERING  
MANUFACTURE

08000 489 0704

info@premiercateringmanufacture.co.uk

[www.premiercateringmanufacture.co.uk](http://www.premiercateringmanufacture.co.uk)

RETURN TO INDEX PAGE



**Wall Cupboards**

Standard Depth 300mm : Standard Height

Length (mm)	Sliding Doors	Hinged Doors
600		
900		
1200		
1500		
1800		

**COSHH Cupboard**

Standard Depth 450mm : Standard

Length (mm)
900
1200
1500

**Extras**

Item	Cost
Lockable Doors	
Sloping Top	

**All COSHH Cupboards supplied with 4 internal shelves and lockable hinged doors**



**Wall /Centre Base Cupboards**

**SLIDING DOORS** Standard Height 540mm

Length (mm)	650mm depth	700mm depth
600		
900		
1200		
1500		
1800		



08000 489 0704

info@premiercateringmanufacture.co.uk  
[www.premiercateringmanufacture.co.uk](http://www.premiercateringmanufacture.co.uk)



# MACKLINE 2022 Product Application & Price List

Catering Products

## Optional Extras & Miscellaneous

**TRADE ONLY**

Item	Cost
Drawer	
Bank of 3 Drawers	
Bank of 3 Runners (left or right)	
Bank of Runners (central)	
Extra Upstand	
Castors : Set of 4 (2 x braked)	
Tie Bar	
U-shaped Tie Bar	
Drop Down Section to One End	
Drop Down Section to Centre	
Extra Leg Set	
Corner Chamfer 100x100mm	
Angled End	
Notch / Cut Out	
Removable Undershelf (additional cost for included)	
Reinforced Top per 300mm	
Strap Butt Joint (fish plate joint)	
Welded Joint	
Localised Anti Drip Moulding Around Bowl	
Deep Weld-in Sink Bowl 400 x 400 x 300mm	
Deep Weld-in Sink Bowl 600 x 450 x 30mm	
Lock for Drawer	
Partial Upstand - Add	
Part Void to Under Frame	
Strainer & Waste 10"	
Strainer & Waste 16"	

Item	Cost
MDF below top (per mtr)	
Stainless Steel Scrap Chute	
Sound Deadening Pads - each	
Box Section 4 a leg frame 40 x 40mm	
Removable Kicker Plinth (per mtr)	
Fixed Kicker Plinth (per mtr)	
Tubular Tray Slides 3 Bar Fixed (price per mtr)	
Tubular Tray Slide 3 Bar Drop Down (price per mtr)	
Flanged Box Section Foot 30x30mm	
Bullet Section Foot 30x30mm	
Flanged Box Section Foot 25x25mm	
Bullet Section Foot 25x25mm	
Box Section Foot 40x40mm	
Box Section Leg Extension 30x30mm	
Box Section Shelf Bracket 30x30mm each	
Stainless Steel Tundish 1¼" fitting	
Stainless Steel Tundish 1½" fitting	
Stainless Steel Tundish 2" fitting	
Hole Cut-out for Services	
Single Socket Welded in Back Box	
Double Socket Welded in Back Box	
Single Socket with Facia (not wired)	
Double Socket with Facia (not wired)	
Single Socket Wired	
Double Socket Wired	
Push Bar to Mobile Unit	



PREMIER CATERING  
MANUFACTURE

08000 489 0704

[info@premiercateringmanufacture.co.uk](mailto:info@premiercateringmanufacture.co.uk)

[www.premiercateringmanufacture.co.uk](http://www.premiercateringmanufacture.co.uk)

RETURN TO INDEX PAGE



**Storage Racking**

**3 TIER SOLID SHELF RACK** Standard Height 1500mm

Length (mm)
900
1200
1500
1800
2100

**4 TIER SOLID SHELF RACK** Standard Height 1800mm

Length (mm)
900
1200
1500
1800
2100



08000 489 0704

info@premiercateringmanufacture.co.uk

[www.premiercateringmanufacture.co.uk](http://www.premiercateringmanufacture.co.uk)

RETURN TO INDEX PAGE



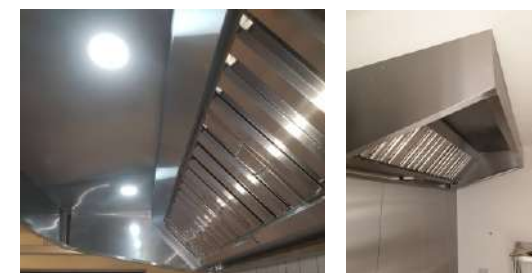
**Wall Type Extract Only Canopies**

Size	Price in 430's	Price in 304
1200x1000x (600x400)		
1200x1200x (600x400)		
1200x1400x (600x400)		
1500x1000x (600x400)		
1500x1200x (600x400)		
1500x1400x (600x400)		
1800x1000x (600x400)		
1800x1200x (600x400)		
1800x1400x (600x400)		
2000x1000x (600x400)		
2000x1200x (600x400)		
2000x1400x (600x400)		
2500x1000x (600x400)		
2500x1200x (600x400)		
2500x1400x (600x400)		
2800x1000x (600x400)		
2800x1200x (600x400)		
2800x1400x (600x400)		

Size	Price in 430's	Price in 304
3000x1000x (600x400)		
3000x1200x (600x400)		
3000x1400x (600x400)		
3500x1000x (600x400)		
3500x1200x (600x400)		
3500x1400x (600x400)		
4000x1000x (600x400)		
4000x1200x (600x400)		
4000x1400x (600x400)		
4500x1000x (600x400)		
4500x1200x (600x400)		
4500x1400x (600x400)		
5000x1000x (600x400)		
5000x1200x (600x400)		
5000x1400x (600x400)		

Excludes LED Lighting  
Price includes Premium Brushed Baffle Filters, Drip Trays - Prices plus VAT

LED Lighting €65.00 per metre



08000 489 0704

info@premiercateringmanufacture.co.uk  
[www.premiercateringmanufacture.co.uk](http://www.premiercateringmanufacture.co.uk)

RETURN TO INDEX PAGE





**Wall Type Dual Canopies**

Size	Price in 430's	Price in 304
1200x1000x (600x400)		
1200x1200x (600x400)		
1200x1400x (600x400)		
1500x1000x (600x400)		
1500x1200x (600x400)		
1500x1400x (600x400)		
1800x1000x (600x400)		
1800x1200x (600x400)		
1800x1400x (600x400)		
2000x1000x (600x400)		
2000x1200x (600x400)		
2000x1400x (600x400)		
2500x1000x (600x400)		
2500x1200x (600x400)		
2500x1400x (600x400)		
2800x1000x (600x400)		
2800x1200x (600x400)		
2800x1400x (600x400)		

Size	Price in 430's	Price in 304
3000x1000x (600x400)		
3000x1200x (600x400)		
3000x1400x (600x400)		
3500x1000x (600x400)		
3500x1200x (600x400)		
3500x1400x (600x400)		
4000x1000x (600x400)		
4000x1200x (600x400)		
4000x1400x (600x400)		
4500x1000x (600x400)		
4500x1200x (600x400)		
4500x1400x (600x400)		
5000x1000x (600x400)		
5000x1200x (600x400)		
5000x1400x (600x400)		

Excludes LED Lighting, Excludes Spot Coolers  
Price includes Premium Brushed Baffle Filters, Drip Trays - Prices plus VAT



PREMIER CATERING  
MANUFACTURE

08000 489 0704

info@premiercateringmanufacture.co.uk

[www.premiercateringmanufacture.co.uk](http://www.premiercateringmanufacture.co.uk)

RETURN TO INDEX PAGE



**Centre Island Canopies Extract Only**

Size	Price in 430's	Price in 304
1200x1000x (600x400)		
1200x1200x (600x400)		
1200x1400x (600x400)		
1500x1000x (600x400)		
1500x1200x (600x400)		
1500x1400x (600x400)		
1800x1000x (600x400)		
1800x1200x (600x400)		
1800x1400x (600x400)		
2000x1000x (600x400)		
2000x1200x (600x400)		
2000x1400x (600x400)		
2500x1000x (600x400)		
2500x1200x (600x400)		
2500x1400x (600x400)		
2800x1000x (600x400)		
2800x1200x (600x400)		
2800x1400x (600x400)		

Size	Price in 430's	Price in 304
3000x1000x (600x400)		
3000x1200x (600x400)		
3000x1400x (600x400)		
3500x1000x (600x400)		
3500x1200x (600x400)		
3500x1400x (600x400)		
4000x1000x (600x400)		
4000x1200x (600x400)		
4000x1400x (600x400)		
4500x1000x (600x400)		
4500x1200x (600x400)		
4500x1400x (600x400)		
5000x1000x (600x400)		
5000x1200x (600x400)		
5000x1400x (600x400)		

Excludes LED Lighting  
Price includes Premium Brushed Baffle Filters, Drip Trays - Prices plus VAT



PREMIER CATERING  
MANUFACTURE

08000 489 0704

info@premiercateringmanufacture.co.uk

[www.premiercateringmanufacture.co.uk](http://www.premiercateringmanufacture.co.uk)

RETURN TO INDEX PAGE



**Centre Island Canopies Dual - Extract & Air In**

Size	Price in 430's	Price in 304
1200x1000x (600x400)		
1200x1200x (600x400)		
1200x1400x (600x400)		
1500x1000x (600x400)		
1500x1200x (600x400)		
1500x1400x (600x400)		
1800x1000x (600x400)		
1800x1200x (600x400)		
1800x1400x (600x400)		
2000x1000x (600x400)		
2000x1200x (600x400)		
2000x1400x (600x400)		
2500x1000x (600x400)		
2500x1200x (600x400)		
2500x1400x (600x400)		
2800x1000x (600x400)		
2800x1200x (600x400)		
2800x1400x (600x400)		

Size	Price in 430's	Price in 304
3000x1000x (600x400)		
3000x1200x (600x400)		
3000x1400x (600x400)		
3500x1000x (600x400)		
3500x1200x (600x400)		
3500x1400x (600x400)		
4000x1000x (600x400)		
4000x1200x (600x400)		
4000x1400x (600x400)		
4500x1000x (600x400)		
4500x1200x (600x400)		
4500x1400x (600x400)		
5000x1000x (600x400)		
5000x1200x (600x400)		
5000x1400x (600x400)		

Excludes LED Lighting, Excludes Spot Coolers  
Price includes Premium Brushed Baffle Filters, Drip Trays - Prices plus VAT



PREMIER CATERING  
MANUFACTURE

08000 489 0704

info@premiercateringmanufacture.co.uk

[www.premiercateringmanufacture.co.uk](http://www.premiercateringmanufacture.co.uk)

RETURN TO INDEX PAGE

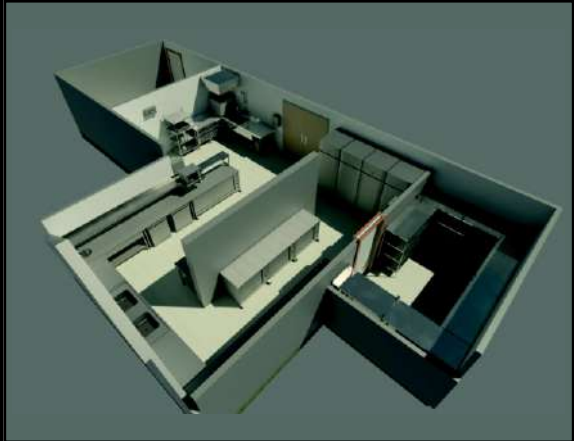


**EXTRACTION**  
Survey, Design,  
Manufacture & Install  
(or Supply Only)  
  
INCLUDING GAS WORKS &  
SERVICE SPINES



  
**FLAIR**  
MODULAR BAR SYSTEMS  
**COCKTAIL BARS**  
Modular Bar Solutions  
**REQUEST FLAIR BROCHURE**  
2022

**3D DESIGN**  
3D Design Support,  
Renders Including M&E  
  
COMPLIMENTARY SERVICE  
FOR APPROVED ORDERS



**SERVERY COUNTERS**  
Bespoke Solutions  
  
ASK FOR MORE INFO -  
INCLUDING  
SURVEY & DESIGN



08000 489 0704  
info@premiercateringmanufacture.co.uk  
[www.premiercateringmanufacture.co.uk](http://www.premiercateringmanufacture.co.uk)



# We also provide

3D Design

Bespoke Fabrication

Canopy Manufacture & installation

Counters

Approval Drawings

Installation Teams - Electrical, Ventilation, Plumbing

Cladding & Hygienic Flooring Installed

Contract Part Manufacturing



## Our Brands:



**MACKLINE**  
Catering Products



**PREMIER CATERING  
MANUFACTURE**