



MADE IN BRITAIN



MACKLINE
Catering Products

2022
Product Application &
Price List

TRADE ONLY





Index

Page	Product	PLEASE CLICK THE LINK BELOW TO GO TO THE PRODUCT YOU REQUIRE
3	Centre & Wall Tables	
4	Single & Double Sinks	
5	Wall Shelves	
6	Bench Mounted Ambient Gantries & Microwave Shelves	
7	Passthrough Dishwasher Tabling	
8	Condense Canopy / Roller Dishwasher Outlet Tables	
9	Dishwasher Tabling Layout / How to Order	
11	Hot Cupboards & Heated Gantries	
13	Wall / Centre / COSHH Cupboards	
14	Modifications & Miscellaneous Options	
15	Racking (solid & perforated)	
16	Canopies	

For bespoke pricing email:
info@premiercateringmanufacture.co.uk

FIND IT CHEAPER WE'LL MATCH IT!



08000 489 0704

info@premiercateringmanufacture.co.uk

www.premiercateringmanufacture.co.uk



Wall & Centre Benches c/w Undershelf

Length (mm)	Depth 600mm	Depth 700mm	Depth 800mm
600			
900			
1200			
1500			
1800			
2100			
2400			
2700			
3000			

Modified / Extra Upstand's

Height	*Price per mtr
100 mm	
200 mm	
300 mm	
400 mm MAX	
Extra Upstand	

Extra Undershelves to Suit Wall & Centre Benches

Length (mm)	Depth 600mm	Depth 700mm	Depth 800mm
600			
900			
1200			
1500			
1800			
2400			
2700			
3000			

Optional Extras

Item	Cost	Item	Cost
Castors : Set of 4 (2 x braked)		Drawer	
Tie Bar		Bank of 3 Drawers	
Corner Chamfer 100x100mm		Part Void to Under Frame	
Notch / Cut Out			



08000 489 0704

info@premiercateringmanufacture.co.uk

www.premiercateringmanufacture.co.uk

RETURN TO INDEX PAGE



Single Bowl Sink Units c/w Undershelf bowl valance as standard

Length (mm)	Depth 600mm	Depth 650mm	Depth 700mm
1200			
1500			
1800			
2100			
2400			

Double Bowl Sink Units c/w Undershelf bowl valance as standard

Length (mm)	Depth 600mm	Depth 650mm	Depth 700mm
1500			
1800			
2100			
2400			
2700			
3000			

Sink Extras

Item	Cost
Tie Bar	
Corner Chamfer	
Notch / Cut Out	
Part Void to Under Frame	
Set of 1/2" Pillar Taps	
Set of 1/2" Basin Taps	
Set of 1/2" Mixer Taps	
Set of 1/2" Long Nosed Mixer Taps	
Pre Rinse Spray Arm (Single)	
Pre Rinse Spray Arm (Double)	
Weld in Hand Basin (round or oval)	
Sink Bowl Cover	
Extra for 760 x 510 x 300 Bowl	
Handmade / Fabricated Bowl	

Item	Cost
Make Bowl Ready For Waste Disposal	
Weld In Waste Disposal Hopper	
Manufactured Scrap Chute	
Rubber Scrapping Ring	
Hand wash basin (weld & polish)	
Bucket / Mop sink	



08000 489 0704

info@premiercateringmanufacture.co.uk
www.premiercateringmanufacture.co.uk

RETURN TO INDEX PAGE



TRADE ONLY

Wall Shelves c/w Box Section Brackets

Length (mm)	Depth 300mm	Depth 400mm	Depth 500mm
600			
900			
1200			
1500			
1800			
2100			
2400			

Rodded Pan Shelves

Length (mm)	Depth 300mm	Depth 400mm	Depth 500mm
900			
1200			
1500			
1800			
2100			
2400			

Cantilever Shelves

Length (mm)	Price
900	
1200	
1500	
1800	
2100	
2400	



08000 489 0704

info@premiercateringmanufacture.co.uk
www.premiercateringmanufacture.co.uk

RETURN TO INDEX PAGE



Bench Mounted Ambient Over Shelves

	SINGLE	DOUBLE	SINGLE	DOUBLE
Length (mm)	Depth 400mm	Depth 400mm	Depth 500mm	Depth 500mm
600				
900				
1200				
1500				
1800				
2400				
2100				
2700				
3000				



Microwave Shelves

Length (mm)	Depth 450mm	Depth 550mm
450		
500		
600		



08000 489 0704

info@premiercateringmanufacture.co.uk
www.premiercateringmanufacture.co.uk

RETURN TO INDEX PAGE



TRADE ONLY

Dishwasher Input & Pre Wash Tabling

STANDARD OPEN UNDER inc 610 Bowl, Splashback & Strainer Kit

Length (mm)	Depth up to 685mm	Depth up to 840mm	Undershelf
900			
1200			
1500			
1800			
2100			
2400			
2700			

Standard Dishwasher Outlet Tables

STANDARD OPEN UNDER

Length (mm)	Depth up to 685mm	Depth up to 840mm	Undershelf
900			
1200			
1500			
1800			
2100			
2400			
2700			

Additional Options

Item	Cost
Tie Bar	
Corner Chamfer 100x100mm	
Notch / Cut Out	
Part Void to Under Frame	
Set of 1/2" Pillar Taps	
Set of 1/2" Basin Taps	
Set of 1/2" Mixer Taps	
Set of 1/2" Long Nosed Mixer Taps	
Pre Rinse Spray Arm (Single)	
Pre Rinse Spray Arm (Double)	
Weld in Hand Basin (round or oval)	
Sink Bowl Cover	
Extra for 760 x 510 x 300 Bowl	
Handmade / Fabricated Bowl	
Corner Chamfer	
Make Bowl Ready For Waste Disposal	
Weld In Waste Disposal Hopper	
Manufactured Scrap Chute	
Rubber Scrapping Ring	
Hand wash basin (weld & polish)	
Bucket / Mop sink	
Full length Splashback per mtr	

Single Basket Set Under
£110.00



FOR L-SHAPED TABLING PLEASE EMAIL FOR QUOTE



PREMIER CATERING
MANUFACTURE

08000 489 0704

info@premiercateringmanufacture.co.uk

www.premiercateringmanufacture.co.uk

RETURN TO INDEX PAGE



Condense Canopy

1100 x 1100mm	2000 x 1100mm
---------------	---------------

1100 x 1100mm

2000 x 1100mm

Roller Dishwasher Outlet Tables

STANDARD OPEN UNDER

Length (mm)	Depth up to 685mm	Undershelf
-------------	-------------------	------------

900

1200

1500

1800

2100

2700

[Click here for dishwasher tabling layout](#)



08000 489 0704

info@premiercateringmanufacture.co.uk

www.premiercateringmanufacture.co.uk

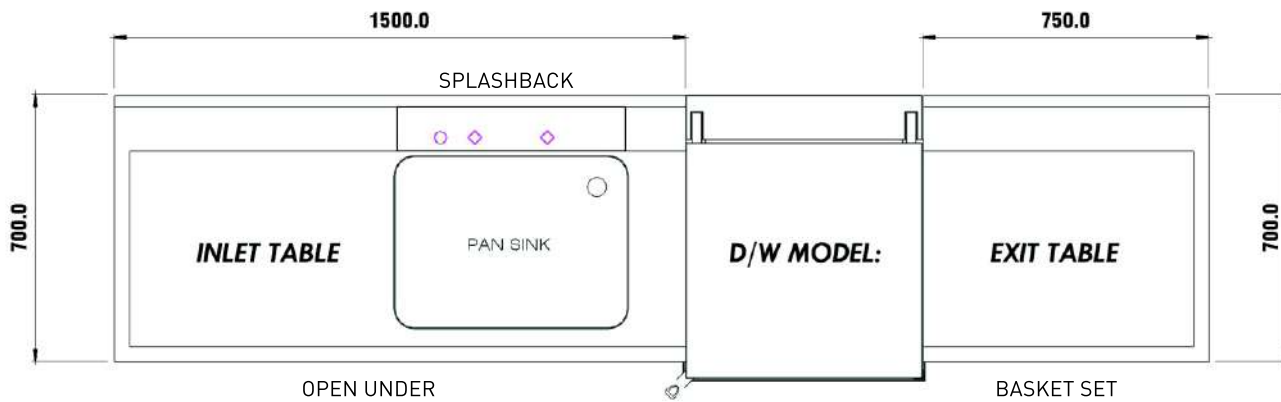
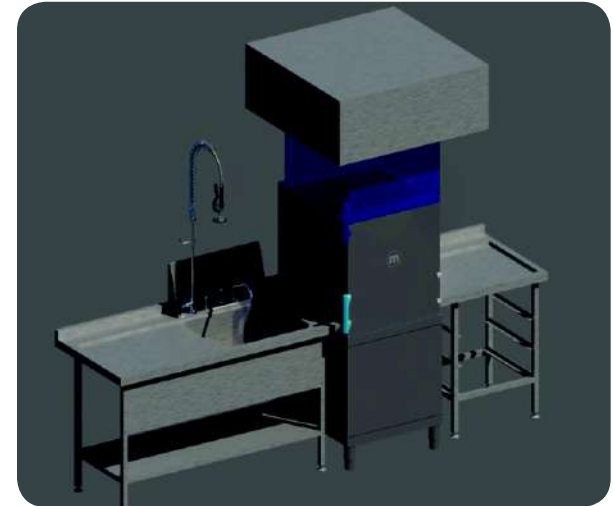
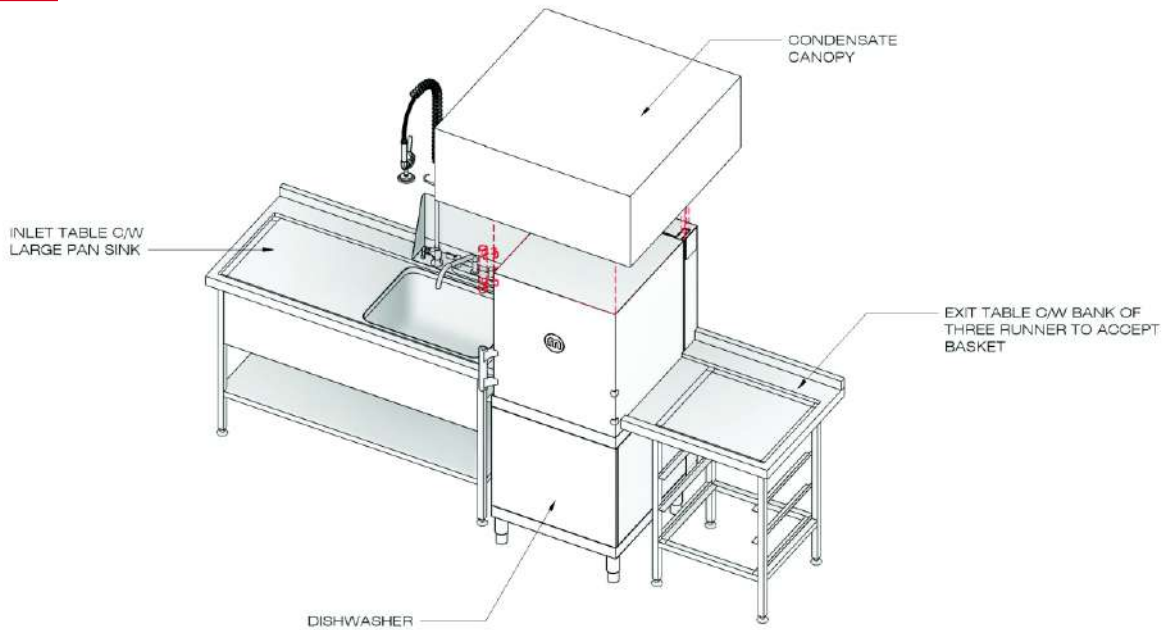
RETURN TO INDEX PAGE



MACKLINE
Catering Products

Dishwasher Tabling Layout (How to Order)

TRADE ONLY



Advice on How to Order

TAD HOLES FOR DECK MIXER (25mm)

180 STD

HOLE FOR SPRAY ARM (32mm)



08000 489 0704

info@premiercateringmanufacture.co.uk
www.premiercateringmanufacture.co.uk

RETURN TO INDEX PAGE



Dishwasher Order Form

MODEL _____



08000 489 0704

info@premiercateringmanufacture.co.uk

www.premiercateringmanufacture.co.uk

RETURN TO INDEX PAGE



Hot Cupboards Premium Mackline

PLAIN TOP STATIC HOT CUPBOARD

Standard Depth 700mm : Standard Height 900mm

Length (mm)	Standard Plain Top	c/w Dry Well Bain Marie	c/w Wet Well Bain Marie
1200			
1500			
1800			
2100			
2400			

Mackline Heated Service Gantry

Standard Depth 300mm : Standard Height 900mm

Length (mm)	Single Tier	Two Tier	Three Tier	Ambient Per Shelf
800				
1000				
1200				
1500				
1800				
2100				
2400				



Extras

Item	Cost
Heavy Duty Castors—Set of 4 (2 x braked)	
Doors both sides per mtr	
Handle	

Digital Controls as Standard

Comes with Variable Dimmers as Standard

ADD- Built In Mackline Tab Grabber to Gantry

Unique built in tab grab feature

Length (mm)	Per Tier
500 increments	



PREMIER CATERING
MANUFACTURE

08000 489 0704

info@premiercateringmanufacture.co.uk
www.premiercateringmanufacture.co.uk

RETURN TO INDEX PAGE



Customer Ref.

Hot Cupboards Quote/Order Form

Sketch if required

Hot Cupboards Specification Form

Size	LENGTH X DEPTH X HEIGHT	<input type="text"/>	<input type="text"/>	<input type="text"/>
Control Panel	INC. DIMMERS	LEFT <input type="checkbox"/>	RIGHT <input type="checkbox"/>	
Doors		1 SIDE <input type="checkbox"/>	2 SIDE (PASS) <input type="checkbox"/>	
On...		FEET <input type="checkbox"/>	CASTORS <input type="checkbox"/>	
Top	PLAIN <input type="checkbox"/>	BAIN MARIE <input type="checkbox"/>	CERAN <input type="checkbox"/>	
		SRE PER I/IG/N <input type="checkbox"/>	QUANTITY <input type="checkbox"/>	
		DRY OR WET <input type="checkbox"/>		
Gantry Size		FULL LENGTH <input type="checkbox"/>	BESPOKE <input type="checkbox"/>	
Push Handle		YES <input type="checkbox"/>	NO <input type="checkbox"/>	
Heated By		ELEMENT <input type="checkbox"/>	FAN ASSISTED <input type="checkbox"/>	
Gantry	1 HEATED <input type="checkbox"/>	2 HEATED <input type="checkbox"/>	3 HEATED <input type="checkbox"/>	
	1A <input type="checkbox"/>	1H X 1A <input type="checkbox"/>	2H X 1A <input type="checkbox"/>	
		2 X A <input type="checkbox"/>	1H X 2A <input type="checkbox"/>	
			3 AMBIENT <input type="checkbox"/>	
Position of:	GANTRY <input type="checkbox"/>	BESPOKE (DWG) <input type="checkbox"/>	LEFT <input type="checkbox"/>	
	BAIN MARIE <input type="checkbox"/>	CENTRE <input type="checkbox"/>	RIGHT <input type="checkbox"/>	
		QUOTE <input type="checkbox"/>	ORDER <input type="checkbox"/>	



PREMIER CATERING
MANUFACTURE

08000 489 0704

info@premiercateringmanufacture.co.uk

www.premiercateringmanufacture.co.uk

RETURN TO INDEX PAGE



Wall Cupboards

Standard Depth 300mm : Standard Height

Length (mm)	Sliding Doors	Hinged Doors
600		
900		
1200		
1500		
1800		

COSHH Cupboard

Standard Depth 450mm : Standard

Length (mm)
900
1200
1500

Extras

Item	Cost
Lockable Doors	
Sloping Top	

All COSHH Cupboards supplied with 4 internal shelves and lockable hinged doors



Wall /Centre Base Cupboards

SLIDING DOORS Standard Height 540mm

Length (mm)	650mm depth	700mm depth
600		
900		
1200		
1500		
1800		



08000 489 0704

info@premiercateringmanufacture.co.uk
www.premiercateringmanufacture.co.uk



MACKLINE 2022 Product Application & Price List
Catering Products
Optional Extras & Miscellaneous

TRADE ONLY

Item	Cost
Drawer	
Bank of 3 Drawers	
Bank of 3 Runners (left or right)	
Bank of Runners (central)	
Extra Upstand	
Castors : Set of 4 (2 x braked)	
Tie Bar	
U-shaped Tie Bar	
Drop Down Section to One End	
Drop Down Section to Centre	
Extra Leg Set	
Corner Chamfer 100x100mm	
Angled End	
Notch / Cut Out	
Removable Undershef (additional cost for included)	
Reinforced Top per 300mm	
Strap Butt Joint (fish plate joint)	
Welded Joint	
Localised Anti Drip Moulding Around Bowl	
Deep Weld-in Sink Bowl 400 x 400 x 300mm	
Deep Weld-in Sink Bowl 600 x 450 x 30mm	
Lock for Drawer	
Partial Upstand - Add	
Part Void to Under Frame	
Strainer & Waste 10"	
Strainer & Waste 16"	

Item	Cost
MDF below top (per mtr)	
Stainless Steel Scrap Chute	
Sound Deadening Pads - each	
Box Section 4 a leg frame 40 x 40mm	
Removable Kicker Plinth (per mtr)	
Fixed Kicker Plinth (per mtr)	
Tubular Tray Slides 3 Bar Fixed (price per mtr)	
Tubular Tray Slide 3 Bar Drop Down (price per mtr)	
Flanged Box Section Foot 30x30mm	
Bullet Section Foot 30x30mm	
Flanged Box Section Foot 25x25mm	
Bullet Section Foot 25x25mm	
Box Section Foot 40x40mm	
Box Section Leg Extension 30x30mm	
Box Section Shelf Bracket 30x30mm each	
Stainless Steel Tundish 1¼" fitting	
Stainless Steel Tundish 1½" fitting	
Stainless Steel Tundish 2" fitting	
Hole Cut-out for Services	
Single Socket Welded in Back Box	
Double Socket Welded in Back Box	
Single Socket with Facia (not wired)	
Double Socket with Facia (not wired)	
Single Socket Wired	
Double Socket Wired	
Push Bar to Mobile Unit	



08000 489 0704

info@premiercateringmanufacture.co.uk
www.premiercateringmanufacture.co.uk

RETURN TO INDEX PAGE



Storage Racking

3 TIER SOLID SHELF RACK Standard Height 1500mm

Length (mm)
900
1200
1500
1800
2100

4 TIER SOLID SHELF RACK Standard Height 1800mm

Length (mm)
900
1200
1500
1800
2100



08000 489 0704
info@premiercateringmanufacture.co.uk
www.premiercateringmanufacture.co.uk



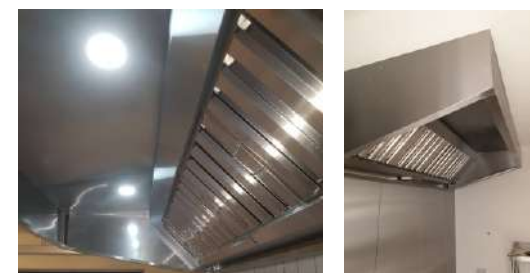
Wall Type Extract Only Canopies

Size	Price in 430's	Price in 304
1200x1000x (600x400)		
1200x1200x (600x400)		
1200x1400x (600x400)		
1500x1000x (600x400)		
1500x1200x (600x400)		
1500x1400x (600x400)		
1800x1000x (600x400)		
1800x1200x (600x400)		
1800x1400x (600x400)		
2000x1000x (600x400)		
2000x1200x (600x400)		
2000x1400x (600x400)		
2500x1000x (600x400)		
2500x1200x (600x400)		
2500x1400x (600x400)		
2800x1000x (600x400)		
2800x1200x (600x400)		
2800x1400x (600x400)		

Size	Price in 430's	Price in 304
3000x1000x (600x400)		
3000x1200x (600x400)		
3000x1400x (600x400)		
3500x1000x (600x400)		
3500x1200x (600x400)		
3500x1400x (600x400)		
4000x1000x (600x400)		
4000x1200x (600x400)		
4000x1400x (600x400)		
4500x1000x (600x400)		
4500x1200x (600x400)		
4500x1400x (600x400)		
5000x1000x (600x400)		
5000x1200x (600x400)		
5000x1400x (600x400)		

Excludes LED Lighting
Price includes Premium Brushed Baffle Filters, Drip Trays - Prices plus VAT

LED Lighting £65.00 per metre



08000 489 0704

info@premiercateringmanufacture.co.uk

www.premiercateringmanufacture.co.uk

RETURN TO INDEX PAGE



Wall Type Dual Canopies

Size	Price in 430's	Price in 304
1200x1000x (600x400)		
1200x1200x (600x400)		
1200x1400x (600x400)		
1500x1000x (600x400)		
1500x1200x (600x400)		
1500x1400x (600x400)		
1800x1000x (600x400)		
1800x1200x (600x400)		
1800x1400x (600x400)		
2000x1000x (600x400)		
2000x1200x (600x400)		
2000x1400x (600x400)		
2500x1000x (600x400)		
2500x1200x (600x400)		
2500x1400x (600x400)		
2800x1000x (600x400)		
2800x1200x (600x400)		
2800x1400x (600x400)		

Size	Price in 430's	Price in 304
3000x1000x (600x400)		
3000x1200x (600x400)		
3000x1400x (600x400)		
3500x1000x (600x400)		
3500x1200x (600x400)		
3500x1400x (600x400)		
4000x1000x (600x400)		
4000x1200x (600x400)		
4000x1400x (600x400)		
4500x1000x (600x400)		
4500x1200x (600x400)		
4500x1400x (600x400)		
5000x1000x (600x400)		
5000x1200x (600x400)		
5000x1400x (600x400)		

Excludes LED Lighting, Excludes Spot Coolers
Price includes Premium Brushed Baffle Filters, Drip Trays - Prices plus VAT



PREMIER CATERING
MANUFACTURE

08000 489 0704

info@premiercateringmanufacture.co.uk

www.premiercateringmanufacture.co.uk

RETURN TO INDEX PAGE



Centre Island Canopies Extract Only

Size	Price in 430's	Price in 304
1200x1000x (600x400)		
1200x1200x (600x400)		
1200x1400x (600x400)		
1500x1000x (600x400)		
1500x1200x (600x400)		
1500x1400x (600x400)		
1800x1000x (600x400)		
1800x1200x (600x400)		
1800x1400x (600x400)		
2000x1000x (600x400)		
2000x1200x (600x400)		
2000x1400x (600x400)		
2500x1000x (600x400)		
2500x1200x (600x400)		
2500x1400x (600x400)		
2800x1000x (600x400)		
2800x1200x (600x400)		
2800x1400x (600x400)		

Size	Price in 430's	Price in 304
3000x1000x (600x400)		
3000x1200x (600x400)		
3000x1400x (600x400)		
3500x1000x (600x400)		
3500x1200x (600x400)		
3500x1400x (600x400)		
4000x1000x (600x400)		
4000x1200x (600x400)		
4000x1400x (600x400)		
4500x1000x (600x400)		
4500x1200x (600x400)		
4500x1400x (600x400)		
5000x1000x (600x400)		
5000x1200x (600x400)		
5000x1400x (600x400)		

Excludes LED Lighting
Price includes Premium Brushed Baffle Filters, Drip Trays - Prices plus VAT



PREMIER CATERING
MANUFACTURE

08000 489 0704

info@premiercateringmanufacture.co.uk

www.premiercateringmanufacture.co.uk

RETURN TO INDEX PAGE



Centre Island Canopies Dual - Extract & Air In

Size	Price in 430's	Price in 304
1200x1000x (600x400)		
1200x1200x (600x400)		
1200x1400x (600x400)		
1500x1000x (600x400)		
1500x1200x (600x400)		
1500x1400x (600x400)		
1800x1000x (600x400)		
1800x1200x (600x400)		
1800x1400x (600x400)		
2000x1000x (600x400)		
2000x1200x (600x400)		
2000x1400x (600x400)		
2500x1000x (600x400)		
2500x1200x (600x400)		
2500x1400x (600x400)		
2800x1000x (600x400)		
2800x1200x (600x400)		
2800x1400x (600x400)		

Size	Price in 430's	Price in 304
3000x1000x (600x400)		
3000x1200x (600x400)		
3000x1400x (600x400)		
3500x1000x (600x400)		
3500x1200x (600x400)		
3500x1400x (600x400)		
4000x1000x (600x400)		
4000x1200x (600x400)		
4000x1400x (600x400)		
4500x1000x (600x400)		
4500x1200x (600x400)		
4500x1400x (600x400)		
5000x1000x (600x400)		
5000x1200x (600x400)		
5000x1400x (600x400)		

Excludes LED Lighting, Excludes Spot Coolers
Price includes Premium Brushed Baffle Filters, Drip Trays - Prices plus VAT



PREMIER CATERING
MANUFACTURE

08000 489 0704

info@premiercateringmanufacture.co.uk

www.premiercateringmanufacture.co.uk

RETURN TO INDEX PAGE



EXTRACTION
Survey, Design,
Manufacture & Install
(or Supply Only)

INCLUDING GAS WORKS &
SERVICE SPINES

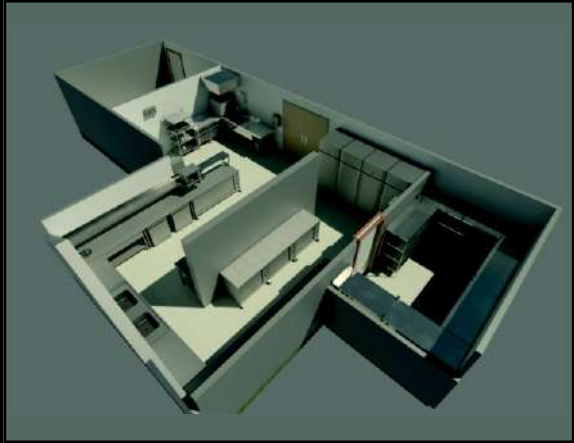


 **FLAIR**
MODULAR BAR SYSTEMS

COCKTAIL BARS
Modular Bar Solutions
REQUEST FLAIR BROCHURE
2022

3D DESIGN
3D Design Support,
Renders Including M&E

COMPLIMENTARY SERVICE
FOR APPROVED ORDERS



SERVERY COUNTERS
Bespoke Solutions

ASK FOR MORE INFO -
INCLUDING
SURVEY & DESIGN



08000 489 0704
info@premiercateringmanufacture.co.uk
www.premiercateringmanufacture.co.uk

We also provide

3D Design

Bespoke Fabrication

Canopy Manufacture & installation

Counters

Approval Drawings

Installation Teams - Electrical, Ventilation, Plumbing

Cladding & Hygienic Flooring Installed

Contract Part Manufacturing



Our Brands:



MACKLINE
Catering Products



**PREMIER CATERING
MANUFACTURE**